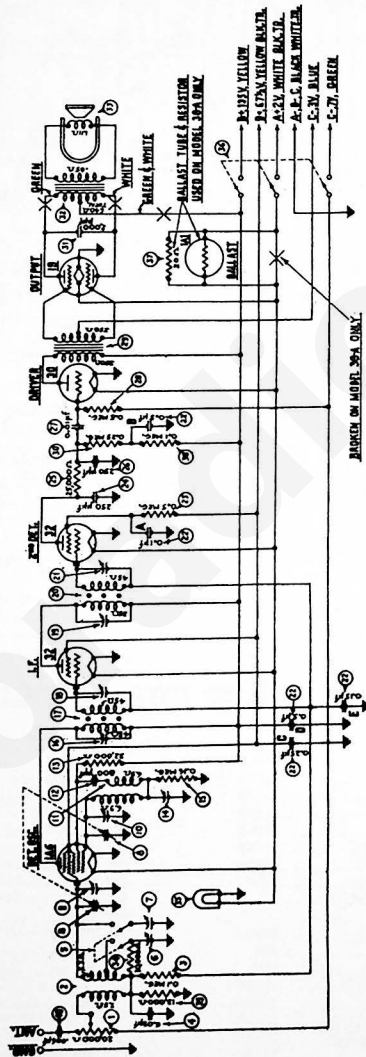
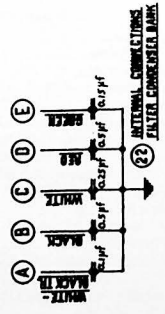


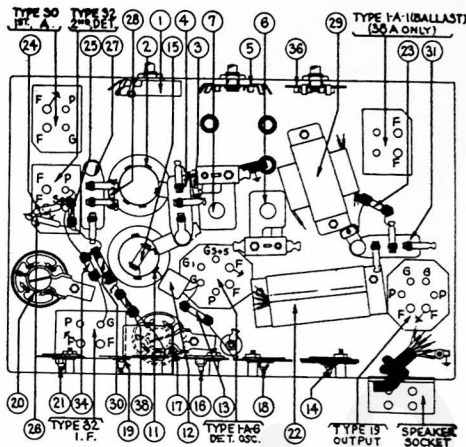
MODEL 38 (Code 123)

(Battery Operated)



LF-460 KC





Replacement Parts—Model 38 (Code 123)

	Part No.
① Volume Control	33-5017
② Antenna Transformer	32-1518
③ Resistor (.1 meg.) (White-White-Yellow)	6069
④ Condenser (.09 mfd. Bakelite Block)	4989-F
⑤ Wave-band Switch	42-1039
⑥ Compensating Condenser (Ant. L. F.-Police)	04000-S
⑦ Compensating Condenser (Ant. H. F.-Police)	04000-D
⑧ Tuning Condenser Assembly	31-1401
⑨ Compensating Condenser (Ant. H. F.)	Part of ⑧
⑩ Compensating Condenser (Osc. H. F.)	Part of ⑧
⑪ Oscillator Transformer	32-1519
⑫ Condenser (.0008 mfd. mica)	5878
⑬ Resistor (32000 ohms) (Orange-Red-Orange)	5379
⑭ Compensating Condenser (Osc. L. F.)	04000-S
⑮ Resistor (160000 ohms) (Brown-Blue-Yellow)	33-1191
⑯ Compensating Condenser (1st I. F. Pri.)	04000-A
⑰ First I. F. Transformer	32-1251
⑱ Compensating Condenser (1st I. F. sec.)	04000-A
⑲ Compensating Condenser (2nd I. F. pri.)	04000-A
⑳ Second I. F. Transformer	32-1252
㉑ Compensating Condenser (2nd I. F. sec.)	04000-A
㉒ Filter Condenser Block (.25-.5-.15-1-.5)	03915
㉓ Resistor (.5 meg.) (Yellow-White-Yellow)	4517
㉔ Condenser (.00025 mfd. mica)	3062
㉕ Resistor (25000 ohms) (Red-Green-Orange)	4516
㉖ Condenser (.00025 mfd. mica)	3062

	Part No.
㉗ Condenser (.01 mfd. Bakelite Block)	3008-Z
㉘ Resistor (.5 meg.) (Yellow-White-Yellow)	6067
㉙ Audio Transformer	7233
㉚ Resistor (.25 meg.) (Red-Yellow-Yellow)	4410
㉛ Condenser (.002 mfd. mica)	7296-C
㉜ Output Transformer	32-7286
㉝ Voice Coil & Cone Assembly (KR-7)	36-3159
㉞ Resistor (10000 ohms) (Brown-Black-Orange)	33-1000
㉟ Pilot Lamp (dial)	5316
㊱ On-Off Switch	42-1040
㊲ Ballast Tube Resistor (20 ohms) (Used on Model 38-A only)	33-3043
㊳ Resistor (.1 meg.) (White-White-Yellow)	6069
㊴ Resistor (13000 ohms) (Brown-Orange-Orange)	33-1180
㊵ Condenser (.006 mfd.)	30-4125
Dial Assembly	31-1408
Scale	27-5068
4 Prong Socket	7545
6 Prong Socket	7547
Speaker Socket	7828
Shorting Jumper (Ballast Tube Socket)	28-9061
Tube Shield (Fits Inside Base)	28-1107
Tube Shield (Fits Over Base)	8005
Battery Cable Assembly (With Plug)	38-5265
Knob	27-4062